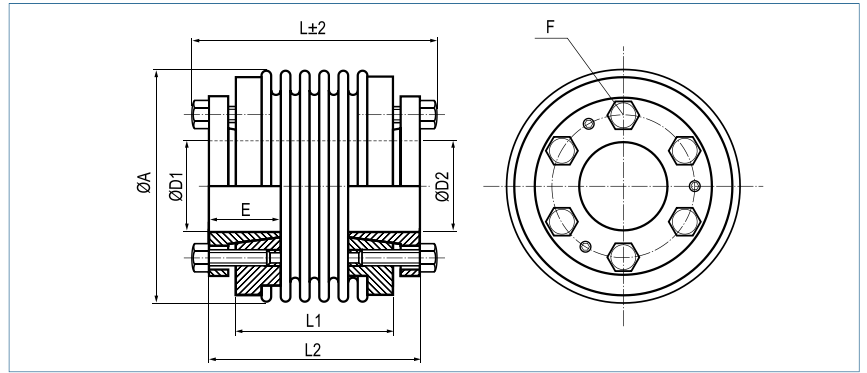


Metal Bellows Coupling

with inner conical hubs

optional
laserwelded
optional full stainless
steel version

optional chem.
nickel-plated



Order Code

KB5 / 60 - 73 - 20 - 25 - (S)

Type / Size Length L ØD1 (H7) ØD2 (H7) Options

Size	Torque TKN (Nm)	Dimensions (mm)							Technical Data								
		L	Ø A	D1/D2	E	L1	L2	F	Mass (kg)	Moment of Inertia J (g m ²)	Spring Stiffness			Misalignment			max. speed (min-1)
		Length (±2)	Outer Ø	Bore Sizes (H7) min~max	Hub-length			Screw (ISO4017) TA (Nm)			torsional CT 10 ³ (Nm/rad)	radial CR (N/mm)	axial CA (N/mm)	radial ΔKr (mm)	axial ΔKa (mm)	angular ΔKw (°)	
18	18	63	45	10-18	20	38	56	4xM5	0.36	0.075	20	205	50	0.2	0.5	1.5	11500
		71				46	64	4.5	0.37	0.078	15	82	36	0.25	0.5	2	
30	30	53	56	12-20	20	30	46	6xM5	0.4	0.11	38	720	50	0.15	0.6	1.5	11000
		61				38	54	4.5	0.42	0.12	28	225	25	0.25	1	2	
60	60	62	66	15-25	25	36	54	6xM6	0.77	0.32	75	1150	90	0.15	0.6	1.5	9100
		73				47	65	8.5	0.79	0.34	50	340	50	0.25	1	2	
80	80	78	82	20-35	30	50	70	6xM6	1.34	1.05	128	1200	80	0.2	0.5	1.5	7000
		90				62	82	10	1.39	1.11	75	400	50	0.25	0.8	2	
150	150	78	82	20-35	30	50	70	6xM6	1.36	1.15	155	2020	145	0.2	0.5	1.5	7000
		90				62	82	15	1.41	1.21	105	595	85	0.25	0.8	2	
200	200	78	90	20-40	30	50	70	6xM6	1.59	1.39	175	2500	145	0.2	0.5	1.5	6700
		91				63	83	15	1.66	1.49	120	460	82	0.25	1	2	
300	300	90	110	25-50	37	56	80	6xM8	3.26	4.66	502	6300	280	0.2	0.5	1.5	5200
		102				67	91	17	3.32	4.81	285	1400	145	0.25	1	2	
500	500	101	122	35-55	40	66	90	6xM8	3.78	6.11	690	7790	100	0.2	0.5	1.5	4600
		112				77	101	25	3.87	6.38	320	970	85	0.25	1	2	
800	800	170	157	50-70	60	110	150	6xM16 45	9.05	24.05	760	500	185	0.2	0.8	1.8	3700
1400	1400	170	157	50-70	60	110	150	6xM16 80	9.15	24.2	1270	700	275	0.2	0.8	1.8	3700
3000	3000	206	157	55-85	60	150	190	6xM12 85	9.43	25.7	2810	29450	1300	0.2	0.8	1.5	2800
5000	5000	206	208	60-90	80	146	186	6xM16 210	19.9	96.7	4810	4915	505	0.2	0.8	1.5	2800

Material	bellows – stainless steel hub - steel
Hub	bore tolerance: H7
Temperature Range	-30 °C ~ 120 °C